

## FuelPort



### Description

The Simplex FuelPort is a compact, economical solution for simple filling and spill prevention for aboveground storage tanks. The FuelPort includes all valves and fittings necessary for hose connection from a pumper truck to an above ground storage tank, packaged within a lockable, weatherproof spill containment box.

The FuelPort can be bolted to the tank, hung from the fill pipe, via clamps to a 3" post or mounted on a stand. The FuelPort is suitable for use with fuel oil, gasoline, automotive products, or certain chemicals. An optional vapor recovery adaptor is available.



### Specifications:

Fitting size: 1.5", 2", 3" or 4"  
 Hand pump capacity: 1 gpm  
 Paint: white

Spill containment:  
 Compact FuelPort - 7 gallons  
 Full-Size FuelPort - 20 gallons

Net weight:  
 Compact FuelPort - 129 lbs.  
 Full-Size FuelPort - 250 lbs.

### Fittings: 1.5", 2", 3" or 4"

Inlet to accept:

- Standard fitting: Quick detachable coupling with check valve, shutoff ball valve
- Optional fitting: Buyer specified dry disconnect

Outlet fitting:

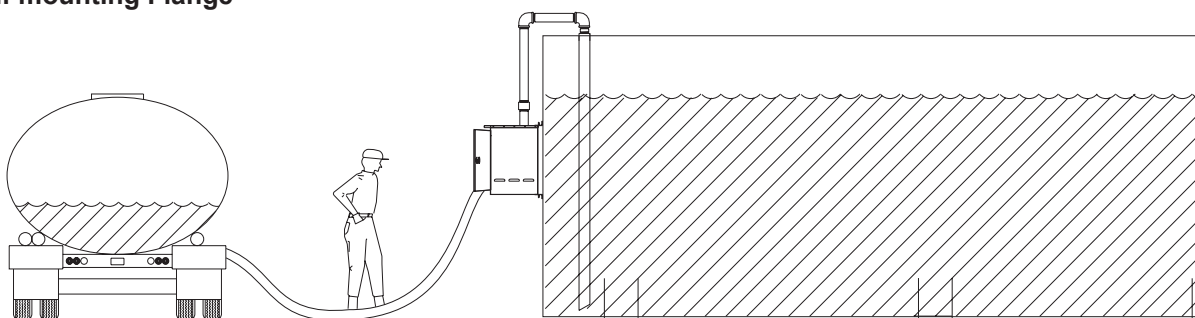
- Threaded pipe welded in top panel, 3" NPT threads
- Optional gasoline vapor recovery adaptor

### Includes:

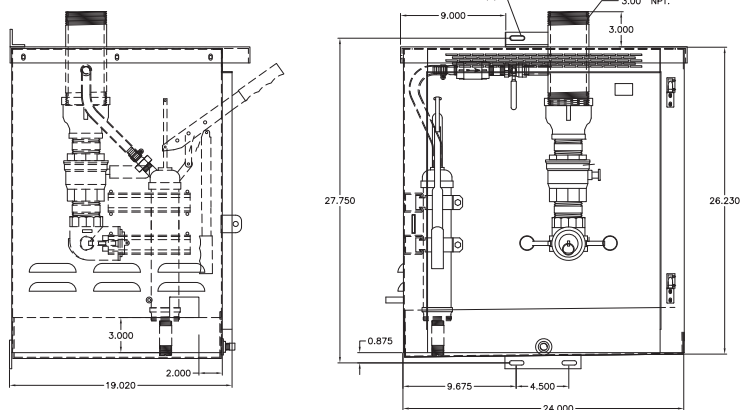
- Weatherproof, lockable box with spill containment
- Tank mounting weld brackets (2)
- FuelPort mounting tabs to accept weld brackets (above) or optional 3" post clamps
- Quick disconnect hose coupling with dust plug
- Hand pump for spill containment, with shutoff and check valve
- Check valve
- Shutoff valve
- Ground stud



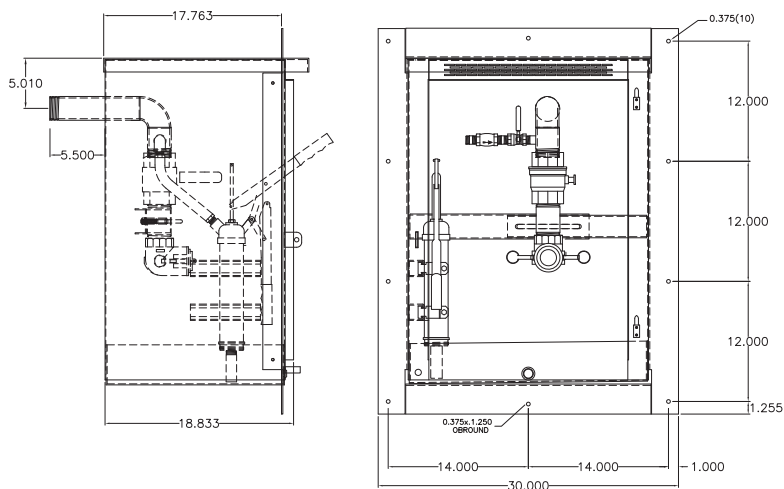
FuelPort with optional Flush Wall-mounting Flange



## FuelPort

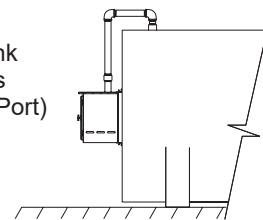


## FuelPort with Flush Wall-Mounting Flange

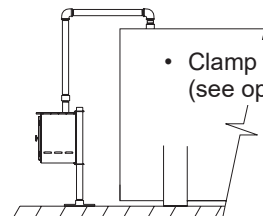


## FuelPort Installation:

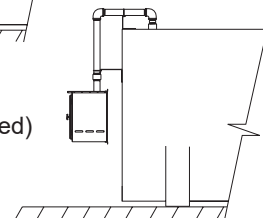
- Mount to side of tank using weld brackets (included with FuelPort)



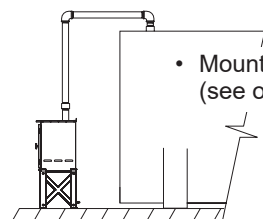
- Clamp to Post (see options list)



- Hang from Fill Pipe (pipe hanger required)



- Mount on Stand (see options list)



## FuelPort Order Checklist

- Specify fitting size: 1.5", 2", 3" or 4"
- If gasoline use, is vapor recovery required?

### Options:

- Fire rated valves
- Dry disconnect adapter (Full-Size FuelPort only)
- Fuel strainer (Full-Size FuelPort only)
- Hydrostatic level gauge
- Flush wall-mounting flange
- Post assembly with base, 48" high, w clamps
- Post clamps
- Stand
- Fusible link fire valve on outlet
- Stainless steel cabinet construction